

IMBAL- 600 MAP

PROTECTIVE ATMOSPHERE



Automatic Side Sealer with Protective Atmosphere
Saldatrici Automatiche con Atmosfera Protettiva
Soldadores Automáticos con Atmósfera Protectora

MY PARTNER - EXCELLENT AND SAFE PRODUCTIVITY



IMBAL 600 MAP

The highest levels of security and productivity, Protective atmosphere in a free package without welding that provide more space for custom printing. The experience gained during years of design in automatic welding machines for pizzas, tortillas and bakery products, riseva 3 models for small, medium and large volume products. Concrete innovations Find out how Imbal Stock also applies progress to paper films and recyclable films.

IMBAL 600 MAP

Produttività eccellente e sicura

I massimi livelli di sicurezza e produttività, Atmosfera Protettiva in una confezione libera senza saldature che danno più spazio alla stampa personalizzata. L'esperienza ricavata da anni di progettazione su saldatrici automatiche per pizze, piadine e prodotti da forno, riseva 3 modelli di grandezza per prodotti piccoli, medi e di grande volume. Innovazioni concrete. Scopri come Imbal Stock applica i progressi anche sulle pellicole in carta e films riciclabili.

IMBAL 600 MAP

Los niveles más altos de seguridad y productividad, Atmósfera protectora en un paquete gratuito sin soldaduras que brindan más espacio para la impresión personalizada. La experiencia adquirida durante años de diseño en máquinas automáticas de soldadura para pizzas, tortillas y productos de panadería, los modelos de tamaño riseva 3 para productos de pequeño, mediano y gran volumen. Innoovaciones concretas. Descubra cómo Imbal Stock aplica el progreso también a las películas de papel y las películas reciclables.

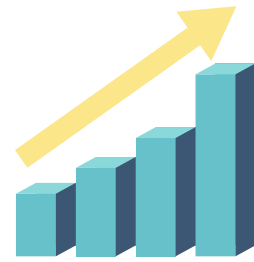


IMBAL 600 MAP - PRODUCTION SPEED

From 20 up to 40

Da 20 a 40 conf/min

Desde 20 hasta 40 paq/min



Packaging Materials:

Heat-sealable

Coated

Cold-sealable

Polyethylene

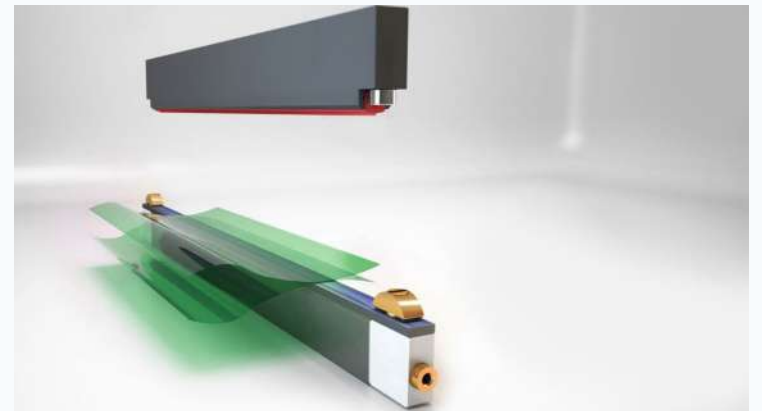
Recyclable Films - **Bio** Films

Reel Dimensions:

Center folded reel:

Max. 800 mm Width

Diameter 450 mm



Model

IS 350

IS 600

IS 900



Machines Width	2244 mm	2544 mm	2744 mm
Height	1538 mm	1538 mm	1638 mm
Depth	1260 mm	1281,5 mm	1480 mm
Weight	900 Kg	1.100 Kg	1.500 Kg
Belt's Width	250 mm	500 mm	800 mm
Product's Wdth	220 mm	498 mm	790 mm
Product's Height	120 mm	300 mm	300 mm
Product's Length	Unlimited	Unlimited	Unlimited



IMBALSTOCK

Since 1994

ELECTRICALS FEATURES

Motion control with PLC Mitsubishi
Interface through 5,7" touch screen
Working programs memorization
Machine diagnostic
Temperature control through touch
screen
Power 3,5 KW

CARATTERISTICHE ELETTRICHE

Controllo assi con PLC Mitsubishi
Interfaccia tramite touch screen da
5,7"
Memorizzazione dati e ricette
Diagnostica macchina
Controllo temperature da touch screen
Potenza installata 3,5 KW

CARACTERÍSTICAS ELÉCTRICAS



Control mediante PLC Mitsubishi
Interfase con pantalla táctil de 5,7
pulgadas
Memorias para diferentes programas de
trabajo
Diagnóstico del equipo
Control de la temperatura a través de la
pantalla táctil
Potencia instalada: 3,5 Kw

PNEUMATIC FEATURES

Compressed air: 6 bar dry and
filtered air

CARATTERISTICHE PNEUMATICHE

Alimentazione aria compressa:
6 bar aria secca e filtrata

CARACTERÍSTICAS NEUMÁTICAS

Alimentación con aire comprimid
Presión: 6 Bar / Aire seco y filtrado



IMBALSTOCK

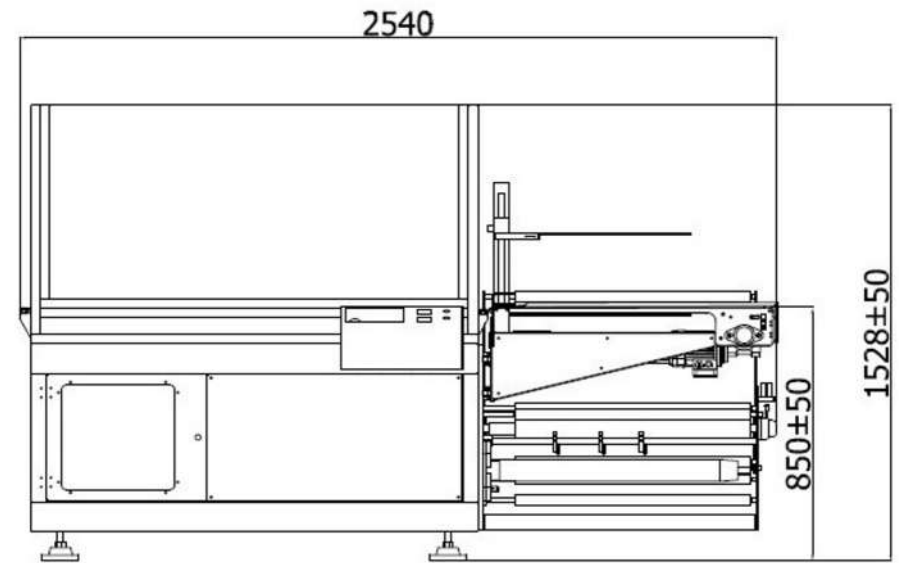
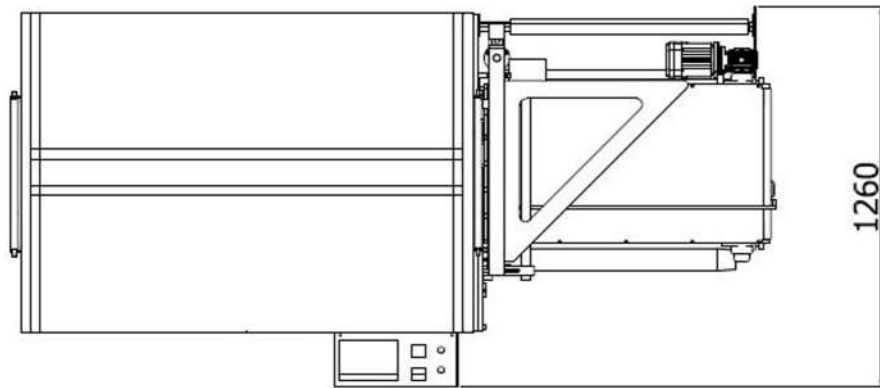
Since 1994

NOTHING WRAPS LIKE A IMBAL STOCK

Modified Atmosphere Packaging (MAP)



Test your products with Protective Atmosphere



INTEGRATION WITH ROBOT



DELTA

Order and pick up the parts on a moving conveyor belt using a single vision system. We support you from the first ideas to the finished packaging product.

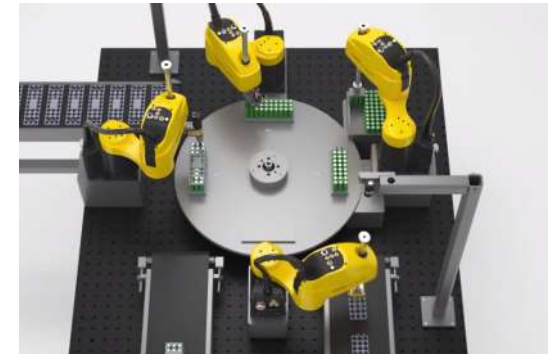
From project management and technological development to all-round engineering services.



SCARA

Space-saving line

To make the most of the space, the ROBOT SCARA robots are ultra compact and are designed to minimize interference with peripherals.



MULTI-ROBOT

Endless possibilities

The MULTI ROBOT are particularly suitable for operations of multiple packaging and product handling loads.

WE CUSTOMIZE THE PACKAGING LINES FOR DIFFERENT PRODUCTS



PLASTIC SHUTTER CONVEYORS

Plastic shutter conveyors are machines used for the transport of products that have to be accumulated.

They can have adjustable width, they can be in anodized aluminium or in stainless steel structure. These conveyors are equipped with adjustable side rails and speed regulators.



CURVED CONVEYOR BELTS

These conveyor belts are used where there is the need to change the direction of the product transported.

They can be a rubber belt conveyor or a shutter conveyor.



STAINLESS STEEL CONVEYOR BELTS

The stainless steel conveyor belts are used mostly in the food industry or in places where there is presence of humidity. The belt for this conveyors is a FDA conformity belt, they also can have stainless steel side rails with the possibility to regulate the width, adjustable supporting legs and stainless steel cover for the motoreducer.

IMBAL STOCK PACKAGING

SERVICE&PARTS

IMBAL SERVICE AND IMBAL PARTS





IMBAL SERVICE



Installation and start-up of machines and plants.
Training center for Imbal technicians, branches, dealers and directly
from customers.
Revisions, upgrades, repairs, maintenance.
Troubleshooting and remote diagnostics.
Software upgrade



AUTOMATIC SIDE SEALER



SPARE PARTS OF SIDE SEALER

®MADE IN ITALY

IMBAL STOCK Packaging

Original IMBAL spare parts and custom spare parts kit on the machine model.

Support for the identification of the spare part.

Offices of the DHL, UPS and GLS resident carriers within the Imbal spare parts warehouse and multiple daily withdrawals.

Optimized timing of evasion thanks to the worldwide distribution network with delocalized and automatic warehouses





30-YEARS OF EXPERIENCE

Imbal stock is the Group's business sector specialized in packaging machines. Since 1994 designs, manufactures and markets a complete range of technologies and solutions aimed at food, cosmetic and medical packaging sectors. A few years specialized in horizontal side sealer and flow wrapper .



NEW INDUSTRY 4.0

Imbal Stock's commitment is to transform our customers' factories in real-time factories ready to guarantee the opportunities of digital manufacturing. Smart machines and software become indispensable tools that facilitate the daily work of whom, in all over the world, packs products and more.



MAILING ADDRESS

Via S. Fiorano, 55/A | 20852
Villasanta - (MB)

EMAIL ADDRESS

info@imbalstock.it

PHONE NUMBER

+39 0392847931
+39 3274770910



[in](#) #imbalstock