

IMBAL-55 BB

FLOW WRAPPER



Electronic Horizontal Flow Wrapper Suitable for Food and non Food Products.
Confezionatrice Elettronica Ideale per Prodotti Alimentari e Non.
Máquina Electrónica Ideal Para Trabajar con Productos Técnicos o Alimentarios

MY PARTNER - TO PACKAGE EVERYTHING AND BETTER



The **IMBAL 55 BB series** with innovative technology for fast format changes and its undisputed reliability, they have made it the best-selling model in the flow wrapper BB packaging machine segment. It presents a series of innovative features and controls that make it even more versatile and more practical than ever for packaging and product loading systems. With the new **IMBAL 55 BB** any product you need to pack, consider it already done.

La serie **IMBAL 55 BB** con innovativa tecnologia per cambi formati veloci e la sua indiscussa affidabilità ne hanno fatto il modello più venduto nel segmento delle confezionatrici flow wrapper BB.

Presenta una serie di caratteristiche e comandi innovativi che lo rendono ancora più versatile e più pratica che mai per il confezionamento e i sistemi di carico prodotti. Con la nuova **IMBAL 55 BB** qualsiasi prodotto dobbiate confezionare, consideratelo già fatto.

La serie **IMBAL 55 BB** con una tecnología innovadora para cambios rápidos de formato y su confiabilidad indiscutible, lo han convertido en el modelo más vendido en el segmento de máquinas de envasado BB de envoltura de flujo. Presenta una serie de características y controles innovadores que lo hacen aún más versátil y más práctico que nunca para los sistemas de embalaje y carga de productos. Con el nuevo **IMBAL 55 BB** cualquier producto que necesita empacar, considérelolo ya hecho.

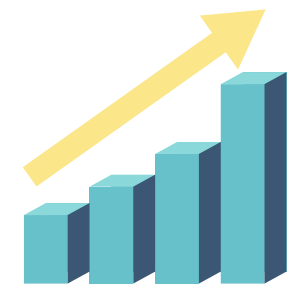


IMBAL 55 BB - PRODUCTION SPEED

From 20 up to 150

Da 20 a 150 conf/min

Desde 20 hasta 150 paq/min



IMBAL 55 BB *PRODUCTS DIMENSION*

Product dimensions:

Width: 10÷250 mm

Height: 1÷120 mm

Length: 60÷600 mm

Dimensioni prodotto:

Larghezza: da 10 a 250 mm

Altezza: da 1 a 120 mm

Lunghezza: da 60 a 600 mm

Dimensiones de producto:

Anchos: de 10 a 250 mm

Alturas: de 1 a 120 mm

Longitudes: de 60 a 600 mm



Packaging Materials:

Heat-sealable

Coated

Cold-sealable

Polyethylene

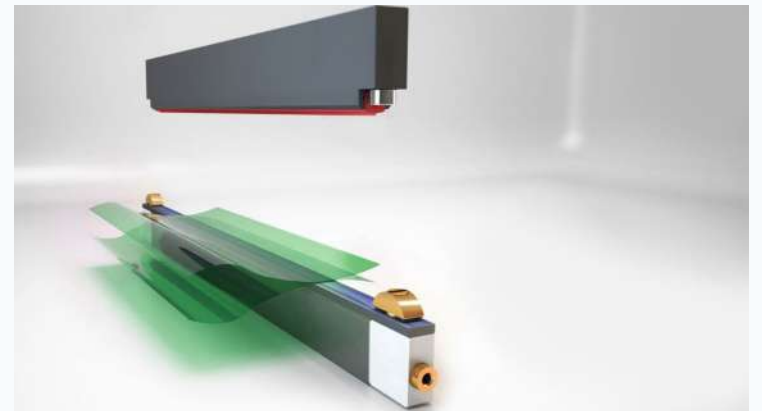
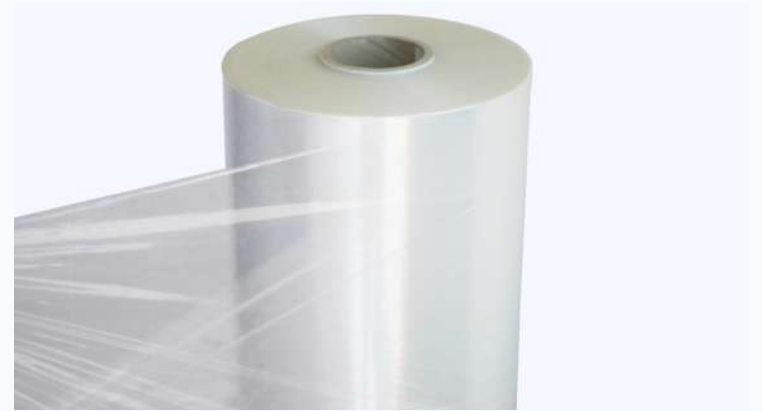
Recyclable Films - **Bio** Films

Reel Dimensions:

Reel width 520/720/920 mm

Outside diameter: 350 mm

Core diameter: 68÷75 mm



OPTIONAL

OPTIONAL

OPCIONALES



Roller conveyor through the up jaw
Printing unit for expiry date
Photo electric cell for print register
Casters under the machine
Gear shift for short/long pitch
Double reel holder
Polythene version
Infeed extension
Zig-zag knives
Euroslot punch
No product no bag
Gussetting device
Many other solutions can be proposed
by our technical team according to the various requirements

Nastro a listelli attraverso gruppo saldante trasversale
Stampatore data scadenza
Fotocellula stampa centrata
Ruote sotto la macchina
Cambio passo corto/lungo
Doppio portabobina
Versione politene
Allungamento nastro alimentazione
Coltelli a zig-zag
Punzone euroslot (sombbrero)
No product no bag
Dispositivo soffettatura
Molte altre soluzioni vengono proposte dal ns staff

Sistema de transporte con rodillos para intercalar la soldadura transversal
Marcador, codificador para fecha de caducidad y nº lote
Fotocélula para trabajar con flm impreso
Ruedas para poder movilizar la máquina
Cambio de paso, corto-largo
Doble porta bobina
Versión polietileno
Prolongación cinta de carga
Cuchilla de corte a zig-zag
Euroslot (para colgar el paquete)
No producto - no paquete
Grupo fuelles laterales paquete
Otras soluciones que pueden comentar con nuestro personal especializado



IMBAL STOCK

• Since 1994

ELECTRICALS FEATURES

Motion control with PLC Mitsubishi
Interface through 5,7" touch screen
Working programs memorization
Machine diagnostic
Temperature control through touch
screen
Power 3,5 KW

CARATTERISTICHE ELETTRICHE

Controllo assi con PLC Mitsubishi
Interfaccia tramite touch screen da
5,7"
Memorizzazione dati e ricette
Diagnostica macchina
Controllo temperature da touch screen
Potenza installata 3,5 KW

CARACTERÍSTICAS ELÉCTRICAS



Control mediante PLC Mitsubishi
Interfase con pantalla táctil de 5,7
pulgadas
Memorias para diferentes programas de
trabajo
Diagnóstico del equipo
Control de la temperatura a través de la
pantalla táctil
Potencia instalada: 3,5 Kw

PNEUMATIC FEATURES

Compressed air: 7 bar dry and
filtered air

CARATTERISTICHE PNEUMATICHE

Alimentazione aria compressa:
7 bar aria secca e filtrata

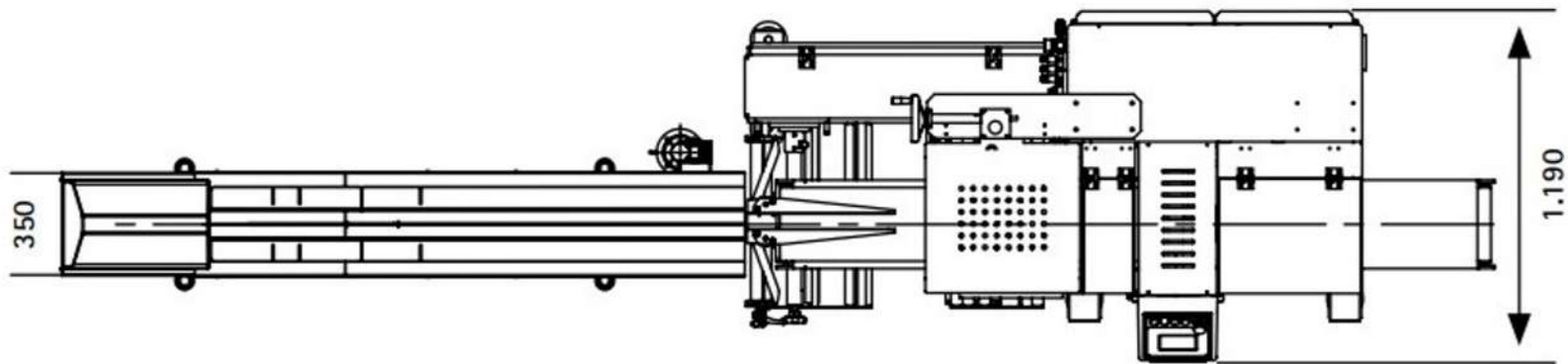
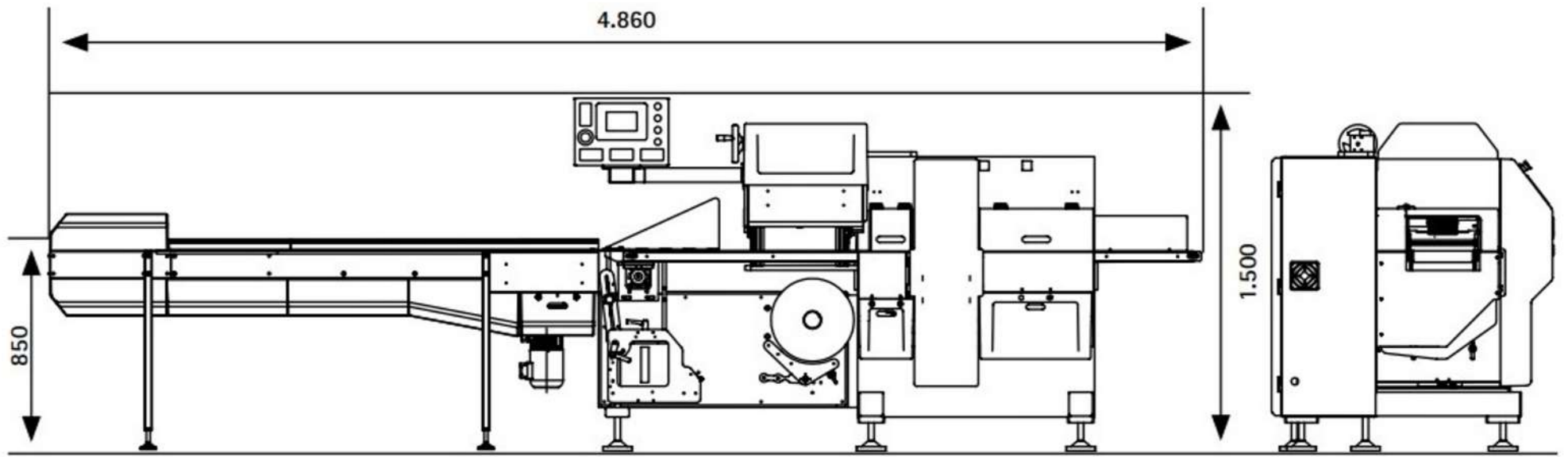
CARACTERÍSTICAS NEUMÁTICAS

Alimentación con aire comprimid
Presión: 7 Bar / Aire seco y filtrado



IMBALSTOCK

• Since 1994



Machine dimensions:
 Length: 4.860 mm
 Width: 1.190 mm
 Height: 1.500 mm
 Machine weight: 650 kg

Dimensioni macchina:
 Lunghezza: 4.860 mm
 Larghezza: 1.190 mm
 Altezza: 1.500 mm
 Peso: 650 kg

Dimensiones de la máquina:
 Longitud: 4.860 mm
 Ancho: 1.190 mm
 Altura: 1.500 mm
 Peso: 650 kilos

INTEGRATION WITH ROBOT



DELTA

Order and pick up the parts on a moving conveyor belt using a single vision system. We support you from the first ideas to the finished packaging product.

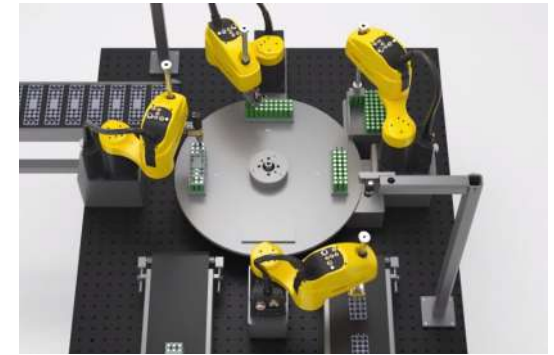
From project management and technological development to all-round engineering services.



SCARA

Space-saving line

To make the most of the space, the ROBOT SCARA robots are ultra compact and are designed to minimize interference with peripherals.



MULTI-ROBOT

Endless possibilities

The MULTI ROBOT are particularly suitable for operations of multiple packaging and product handling loads.

WE CUSTOMIZE THE PACKAGING LINES FOR DIFFERENT PRODUCTS



PLASTIC SHUTTER CONVEYORS

Plastic shutter conveyors are machines used for the transport of products that have to be accumulated.

They can have adjustable width, they can be in anodized aluminium or in stainless steel structure. These conveyors are equipped with adjustable side rails and speed regulators.



CURVED CONVEYOR BELTS

These conveyor belts are used where there is the need to change the direction of the product transported.

They can be a rubber belt conveyor or a shutter conveyor.



STAINLESS STEEL CONVEYOR BELTS

The stainless steel conveyor belts are used mostly in the food industry or in places where there is presence of humidity. The belt for this conveyors is a FDA conformity belt, they also can have stainless steel side rails with the possibility to regulate the width, adjustable supporting legs and stainless steel cover for the motoreducer.

IMBAL STOCK PACKAGING

SERVICE&PARTS

IMBAL SERVICE AND IMBAL PARTS





IMBAL SERVICE



Installation and start-up of machines and plants.
Training center for Imbal technicians, branches, dealers and directly
from customers.
Revisions, upgrades, repairs, maintenance.
Troubleshooting and remote diagnostics.
Software upgrade



AUTOMATIC FLOW WRAPPER



SPARE PARTS OF FLOW WRAPPER

®MADE IN ITALY

IMBAL STOCK Packaging

Original IMBAL spare parts and custom spare parts kit on the machine model.

Support for the identification of the spare part.

Offices of the DHL, UPS and GLS resident carriers within the Imbal spare parts warehouse and multiple daily withdrawals.

Optimized timing of evasion thanks to the worldwide distribution network with delocalized and automatic warehouses





30-YEARS OF EXPERIENCE

Imbal stock is the Group's business sector specialized in packaging machines. Since 1994 designs, manufactures and markets a complete range of technologies and solutions aimed at food, cosmetic and medical packaging sectors. A few years specialized in horizontal flow wrapper



NEW INDUSTRY 4.0

Imbal Stock's commitment is to transform our customers' factories in real-time factories ready to guarantee the opportunities of digital manufacturing. Smart machines and software become indispensable tools that facilitate the daily work of whom, in all over the world, packs products and more.



MAILING ADDRESS

Via S. Fiorano, 55/A | 20852
Villasanta - (MB)

EMAIL ADDRESS

info@imbalstock.it

PHONE NUMBER

+39 0392847931
+39 3274770910



[in](#) #imbalstock