

# IMBAL-65 BB

# FLOW WRAPPER



Electronic Horizontal Flow Wrapper Suitable for Food and non Food Products.  
Confezionatrice Elettronica Ideale per Prodotti Alimentari e Non.  
Máquina Electrónica Ideal Para Trabajar con Productos Técnicos o Alimentarios

# MY PARTNER - PRECISION AND SECURITY



Being good is not enough.

The perfect coordination between the packaging machine and the loading systems is what produces successful results.

To make your packaging process perfect, we putted together all the best solutions in the new **IMBAL 65 BB Flow Wrapper**.

The transversal translating welding system with electronic management guarantees fast format changes and, on request, squared-shaped bellows packs. Welding of films such as polyolefin and polyethylene suitable for technical articles. They also find an ideal application in the food sector, products that need the protective atmosphere.

Essere bravi non è abbastanza.

Il perfetto coordinamento tra confezionatrice e i sistemi di carico è ciò che produce risultati di successo.

Per rendere il tuo processo di packaging una cosa perfetta, abbiamo riunito tutte le migliori soluzioni nella nuova **IMBAL 65 BB Flow Wrapper**. Il sistema di saldatura trasversale traslante a gestione elettronica garantisce veloci cambi formati e, a richiesta, confezioni soffiattate a forma squadrata. Saldatura del film come poliolefina e polietilene adatte per articoli tecnici. Trovano un'ideale applicazione nel settore alimentare, prodotti che necessitano di atmosfera protettiva.

Ser bueno no es suficiente.

La coordinación perfecta entre la máquina de envasado y los sistemas de carga es lo que produce resultados exitosos.

Para que su proceso de envasado sea perfecto, hemos reunido todas las mejores soluciones en el nuevo **IMBAL 65 BB Flow Wrapper**.

El sistema de soldadura de traducción transversal con gestión electrónica garantiza cambios rápidos de formato y, bajo pedido, paquetes de fuelle de forma cuadrada. Soldadura de películas como la poliolefina y el polietileno adecuados para artículos técnicos. Encuentran también una aplicación ideal en el sector alimentario, productos que necesitan de atmósfera protectora.

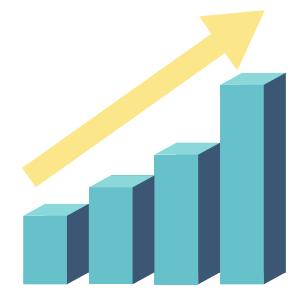


# IMBAL 65BB - PRODUCTION SPEED

From 20 up to 70

Da 20 a 70 conf/min

Desde 20 hasta 70 paq/min



# IMBAL 65 BB *PRODUCTS DIMENSION*

Product dimensions:

Width: 10÷280 mm

Height: 1÷200 mm

Length: 50÷2000 mm

Dimensioni prodotto:

Larghezza: da 10 a 280 mm

Altezza: da 1 a 200 mm

Lunghezza: da 50 a 2000 mm

Dimensiones de producto:

Anchura: de 10 a 280 mm

Altura: de 1 a 200 mm

Longitud: de 50 a 2000 mm





## Packaging Materials:

Heat-sealable

Coated

Cold-sealable

Polyethylene

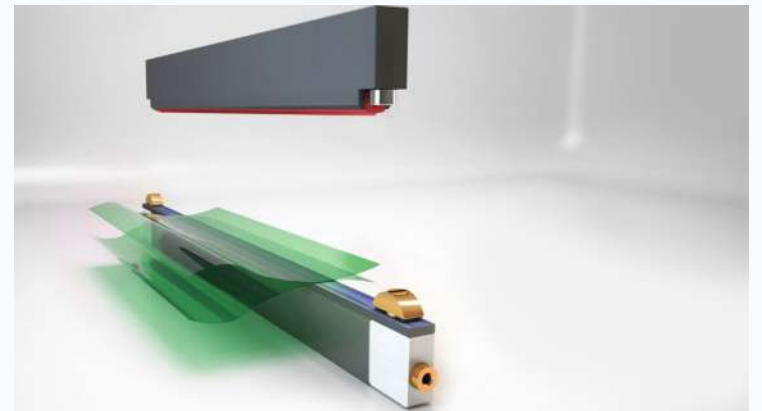
Recyclable Films - **Bio** Films

## Reel Dimensions:

Reel width 520 mm

Outside diameter: 350 mm

Core diameter: 70÷76 mm



## OPTIONAL

## OPTIONAL

## OPCIONALES



Web width up to 720-920 mm  
Automatic film splicer  
Gear shift for short/long pitch  
Double reel holder  
Gas fushing device for MAP  
Printing unit  
Photocell for print registred film  
Euro-slot die cut  
No product no bag  
Automatically variable bag length  
No gap-no seal  
Film trimming unit - Bead seal  
Gussetting device  
Automatic feeding system  
Polythene version  
Infeed extension  
Many other solutions can be  
proposed  
by our technical team according to  
the various requirements.

Fascia estendibile a 720-920 mm  
Cambio bobina automatico  
Cambio passo corto/lungo  
Doppio portabobina  
Confezione in ATM  
Apparecchio stampatore  
Fotocellula per stampa centrata  
Punzone euroslot  
No product - no bag  
Lunghezza busta variabile in  
automatico  
Controllo prodotto fuori fase  
Riflo film - Taglio a flo  
Dispositivo soffettatura  
Caricamento automatico  
Versione politene  
Allungamento nastro alimentazione  
Molte altre soluzioni vengono proposte  
dal ns. staff tecnico in ordine alle  
singole esigenze.

Extensiòn de la faja hasta 720-920 mm  
Cambio automático de bobina de film  
Cambio de paso, corto - largo  
Doble porta bobina  
Envasado en atmòsfera modificada  
Codificador (o impresor)  
Fotocélula para el corte centrado  
Taladrado Euroslot  
No producto No Paquete  
Largo de la bolsa adjustable en  
automatico  
Fotocélula de seguridad para evitar que  
la mordaza rompa el producto  
Soldadura a flo  
Grupo fuelles laterales paquete  
Sistema de cargo automatico  
Versión polietileno  
Prolongación cinta de carga  
Otras soluciones que pueden comentar  
con nuestro personal especializado



IMBALSTOCK

• Since 1994

## ELECTRICALS FEATURES

Motion control with PLC Mitsubishi  
Interface through 5,7" touch screen  
Working programs memorization  
Machine diagnostic  
Temperature control through touch  
screen  
Power 5 KW

## CARATTERISTICHE ELETTRICHE

Controllo assi con PLC Mitsubishi  
Interfaccia tramite touch screen da  
5,7"  
Memorizzazione dati e ricette  
Diagnostica macchina  
Controllo temperature da touch screen  
Potenza installata 5 KW

## CARACTERÍSTICAS ELÉCTRICAS



Control mediante PLC Mitsubishi  
Interfase con pantalla táctil de 5,7  
pulgadas  
Memorias para diferentes programas de  
trabajo  
Diagnóstico del equipo  
Control de la temperatura a través de la  
pantalla táctil  
Potencia instalada: 5 Kw

## PNEUMATIC FEATURES

Compressed air: 7 bar dry and  
filtered air

## CARATTERISTICHE PNEUMATICHE

Alimentazione aria compressa:  
7 bar aria secca e filtrata

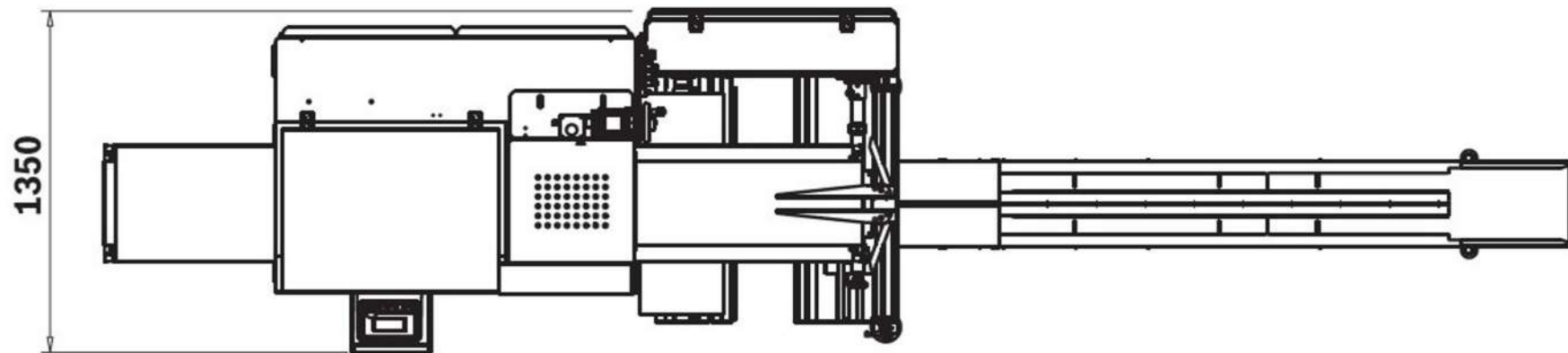
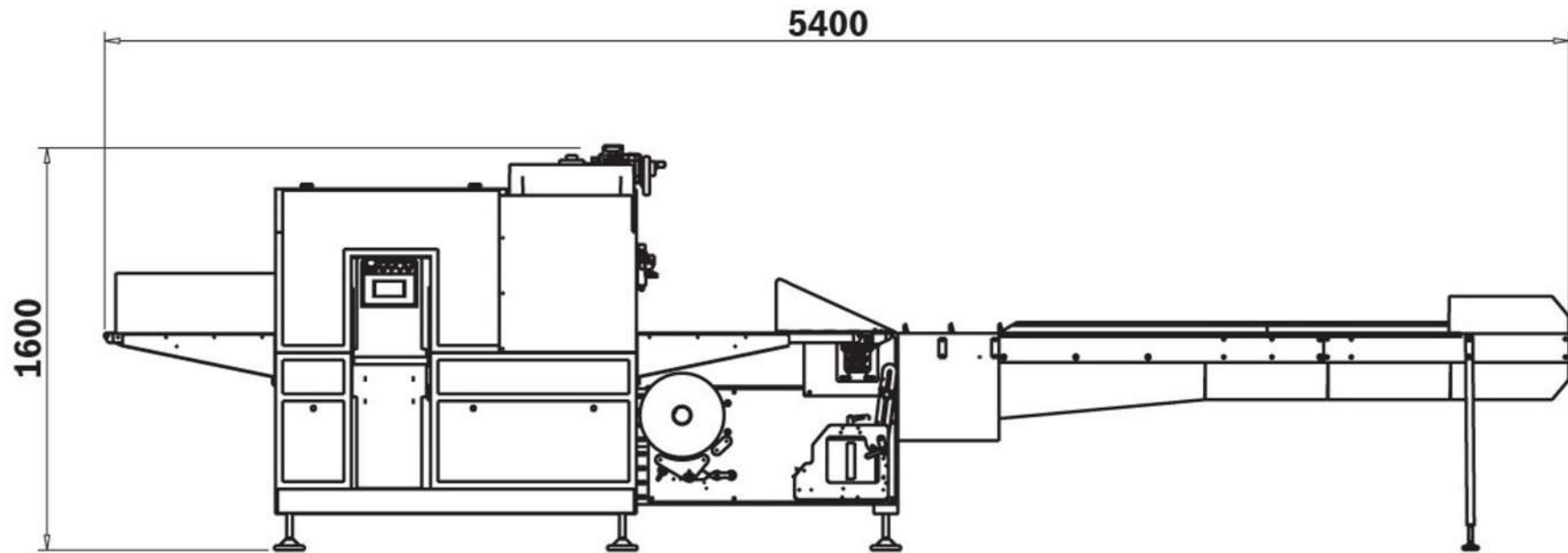
## CARACTERÍSTICAS NEUMÁTICAS

Alimentación con aire comprimid  
Presión: 7 Bar / Aire seco y filtrado



IMBALSTOCK

• Since 1994



Machine dimensions:  
Length: 5400 mm  
Width: 1350 mm  
Height: 1600 mm  
Machine weight: 950 kg

Dimensioni macchina:  
Lunghezza: 5400 mm  
Larghezza: 1350 mm  
Altezza: 1600 mm  
Peso: 950 kg

Dimensiones de la máquina:  
Longitud: 5400 mm  
Ancho: 1350 mm  
Altura: 1600 mm  
Peso: 950 kilos



# INTEGRATION WITH ROBOT

---



## DELTA

Order and pick up the parts on a moving conveyor belt using a single vision system. We support you from the first ideas to the finished packaging product. From project management and technological development to all-round engineering services.



## SCARA

Space-saving line  
To make the most of the space, the ROBOT SCARA robots are ultra compact and are designed to minimize interference with peripherals.



## MULTI-ROBOT

Endless possibilities  
The MULTI ROBOT are particularly suitable for operations of multiple packaging and product handling loads.

# WE CUSTOMIZE THE PACKAGING LINES FOR DIFFERENT PRODUCTS



## PLASTIC SHUTTER CONVEYORS

Plastic shutter conveyors are machines used for the transport of products that have to be accumulated.

They can have adjustable width, they can be in anodized aluminium or in stainless steel structure. These conveyors are equipped with adjustable side rails and speed regulators.



## CURVED CONVEYOR BELTS

These conveyor belts are used where there is the need to change the direction of the product transported.

They can be a rubber belt conveyor or a shutter conveyor.



## STAINLESS STEEL CONVEYOR BELTS

The stainless steel conveyor belts are used mostly in the food industry or in places where there is presence of humidity. The belt for this conveyors is a FDA conformity belt, they also can have stainless steel side rails with the possibility to regulate the width, adjustable supporting legs and stainless steel cover for the motoreducer.

IMBAL STOCK PACKAGING

# SERVICE&PARTS

---

IMBAL SERVICE AND IMBAL PARTS





## IMBAL SERVICE



Installation and start-up of machines and plants.  
Training center for Imbal technicians, branches, dealers and directly  
from customers.  
Revisions, upgrades, repairs, maintenance.  
Troubleshooting and remote diagnostics.  
Software upgrade



## AUTOMATIC FLOW WRAPPER



# SPARE PARTS OF FLOW WRAPPER

®MADE IN ITALY

IMBAL STOCK Packaging

Original IMBAL spare parts and custom spare parts kit on the machine model.

Support for the identification of the spare part.

Offices of the DHL, UPS and GLS resident carriers within the Imbal spare parts warehouse and multiple daily withdrawals.

Optimized timing of evasion thanks to the worldwide distribution network with delocalized and automatic warehouses





## 30-YEARS OF EXPERIENCE

Imbal stock is the Group's business sector specialized in packaging machines. Since 1994 designs, manufactures and markets a complete range of technologies and solutions aimed at food, cosmetic and medical packaging sectors. A few years specialized in horizontal flow wrapper



## NEW INDUSTRY 4.0

Imbal Stock's commitment is to transform our customers' factories in real-time factories ready to guarantee the opportunities of digital manufacturing. Smart machines and software become indispensable tools that facilitate the daily work of whom, in all over the world, packs products and more.





### MAILING ADDRESS

Via S. Fiorano, 55/A | 20852  
Villasanta - (MB)

### EMAIL ADDRESS

[info@imbalstock.it](mailto:info@imbalstock.it)

### PHONE NUMBER

+39 0392847931  
+39 3274770910



[in](#) #imbalstock