

IMBAL-45

FLOW WRAPPER



Electronic Horizontal Flow Wrapper Suitable for Food and non Food Products.
Confezionatrice Elettronica Ideale per Prodotti Alimentari e Non.
Máquina Electrónica Ideal Para Trabajar con Productos Técnicos o Alimentarios

MY PARTNER - - STRONG AND EFFICIENT

The Flow Wrapper is adapt to various types of products, the **IMBAL-45** model is always ready and available for flexible packaging for single and multi pack. Compact, simple to move in tight spaces with a cantilevered structure for easy accessibility that allow it to differentiate also for sanitization.



La Flow Wrapper vi serve per svariati tipi di prodotto, il modello **IMBAL-45** è sempre pronta e disponibile per il confezionamento flessibile sia per monodose che per confezioni multiple. Compatta, semplice da manovrare in spazi ristretti con una struttura a sbalzo e una facile accessibilità che gli permettono di contraddistinguersi anche per sanificabilità.

Flow Wrapper para varios tipos de productos: el modelo **IMBAL-45** está siempre listo y disponible para envases flexibles tanto para dosis únicas como para envases múltiples. Compacto, simple de mover en espacios reducidos con una estructura en voladizo para una fácil accesibilidad que hacen posible distinguirse también para la desinfección.

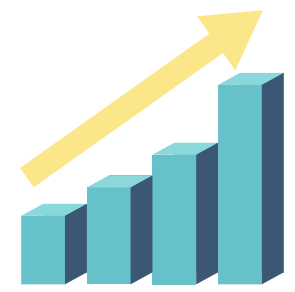


IMBAL 45 - PRODUCTION SPEED

From 20 up to 150

Da 20 a 150 conf/min

Desde 20 hasta 150 paq/min



IMBAL 45 *PRODUCTS DIMENSION*

Product dimensions:

Width: 20÷200 mm

Height: 1÷100 mm

Length: 50÷600 mm

Dimensioni prodotto:

Larghezza: da 20 a 200 mm

Altezza: da 1 a 100 mm

Lunghezza: da 50 a 600 mm

Dimensiones de producto:

Anchos: de 20 a 200 mm

Alturas: de 1 a 100 mm

Longitudes: de 50 a 600 mm



Packaging Materials:

Heat-sealable

Coated

Cold-sealable

Polyethylene

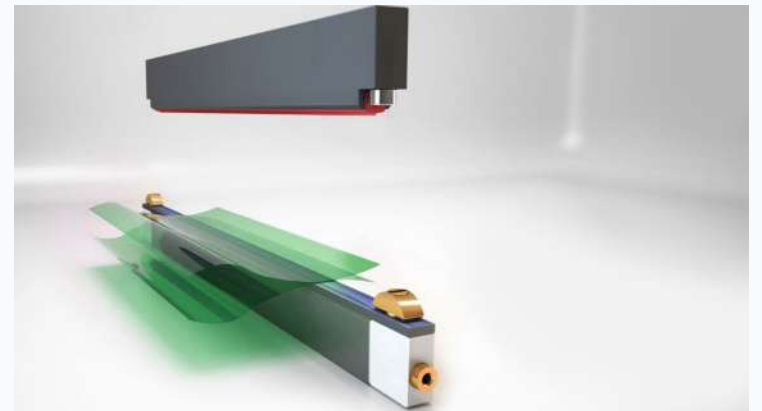
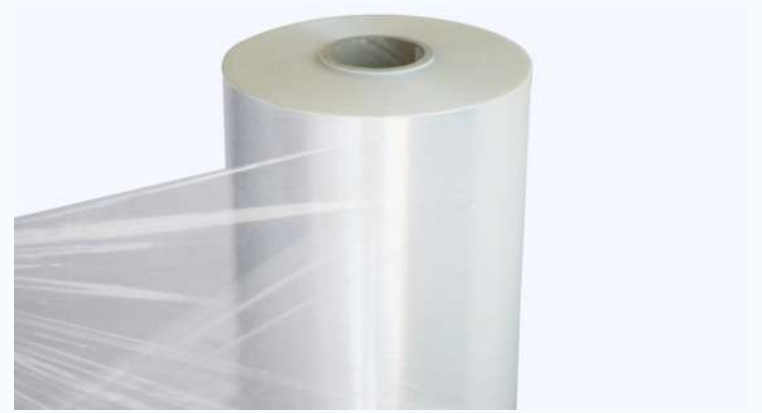
Recyclable Films - **Bio** Films

Reel Dimensions:

Reel width max 520 mm

Outside diameter: 350 mm

Core diameter: 68÷75 mm



OPTIONAL

OPTIONAL

OPCIONALES



Printing unit for expiry date
Photo electric cell for print register
Casters under the machine
Gear shift for short/long pitch
Double reel holder
Polythene version
Infeed extension
Zig-zag knives
Euroslot punch
No product no bag
Automatic feeding
Many other solutions can be proposed
by our technical team according to the various requirements

Stampatore data scadenza
Fotocellula stampa centrata
Ruote sotto la macchina
Cambio passo corto/lungo
Doppio portabobina
Versione politene
Allungamento nastro alimentazione
Coltelli a zig-zag
Punzone euroslot (sombbrero)
No product no bag
Alimentazione automatica
Molte altre soluzioni vengono proposte dal ns. staff tecnico in ordine alle singole esigenze

Marcador, codificador para fecha de caducidad y N° lote
Fotocélula para trabajar con film impreso
Ruedas para poder movilizar la máquina
Cambio de paso, corto - largo
Doble porta bobina
Versión polietileno
Prolongación cinta de carga
Cuchilla de corte a zig-zag.
Euroslot (para colgar el paquete)
No product - no bag
Alimentación automática
Otras soluciones que pueden comentar con nuestro personal especializado



IMBALSTOCK

Since 1994

ELECTRICALS FEATURES

Motion control with PLC Mitsubishi
Interface through 5,7" touch screen
Working programs memorization
Machine diagnostic
Temperature control through touch
screen
Power 7 KW

CARATTERISTICHE ELETTRICHE

Controllo assi con PLC Mitsubishi
Interfaccia tramite touch screen da
5,7"
Memorizzazione dati e ricette
Diagnostica macchina
Controllo temperature da touch screen
Potenza installata 7 KW

CARACTERÍSTICAS ELÉCTRICAS



Control mediante PLC Mitsubishi
Interfase con pantalla táctil de 5,7
pulgadas
Memorias para diferentes programas de
trabajo
Diagnóstico del equipo
Control de la temperatura a través de la
pantalla táctil
Potencia instalada: 7 Kw

PNEUMATIC FEATURES

Compressed air: 7 bar dry and
filtered air

CARATTERISTICHE PNEUMATICHE

Alimentazione aria compressa:
7 bar aria secca e filtrata

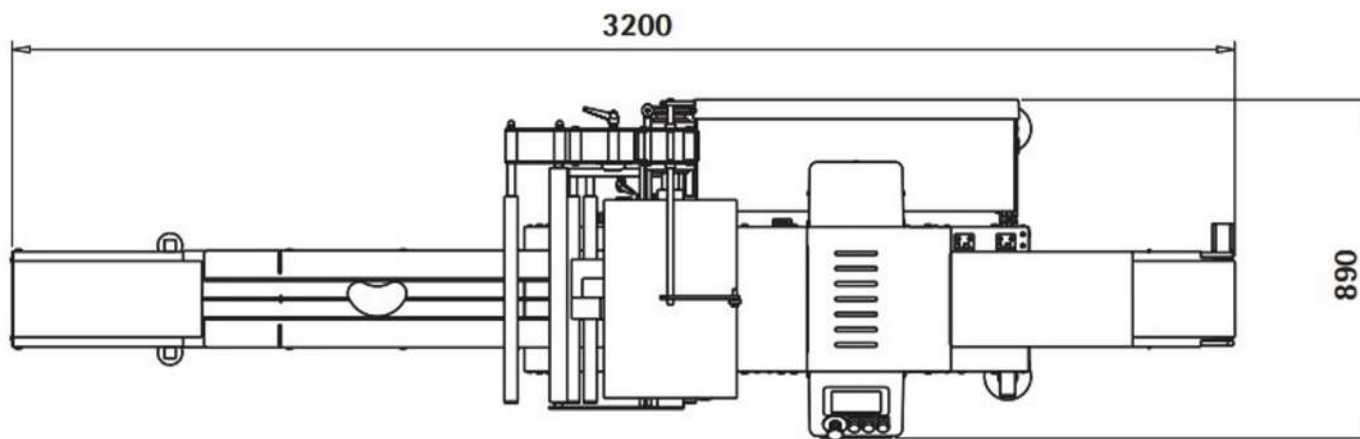
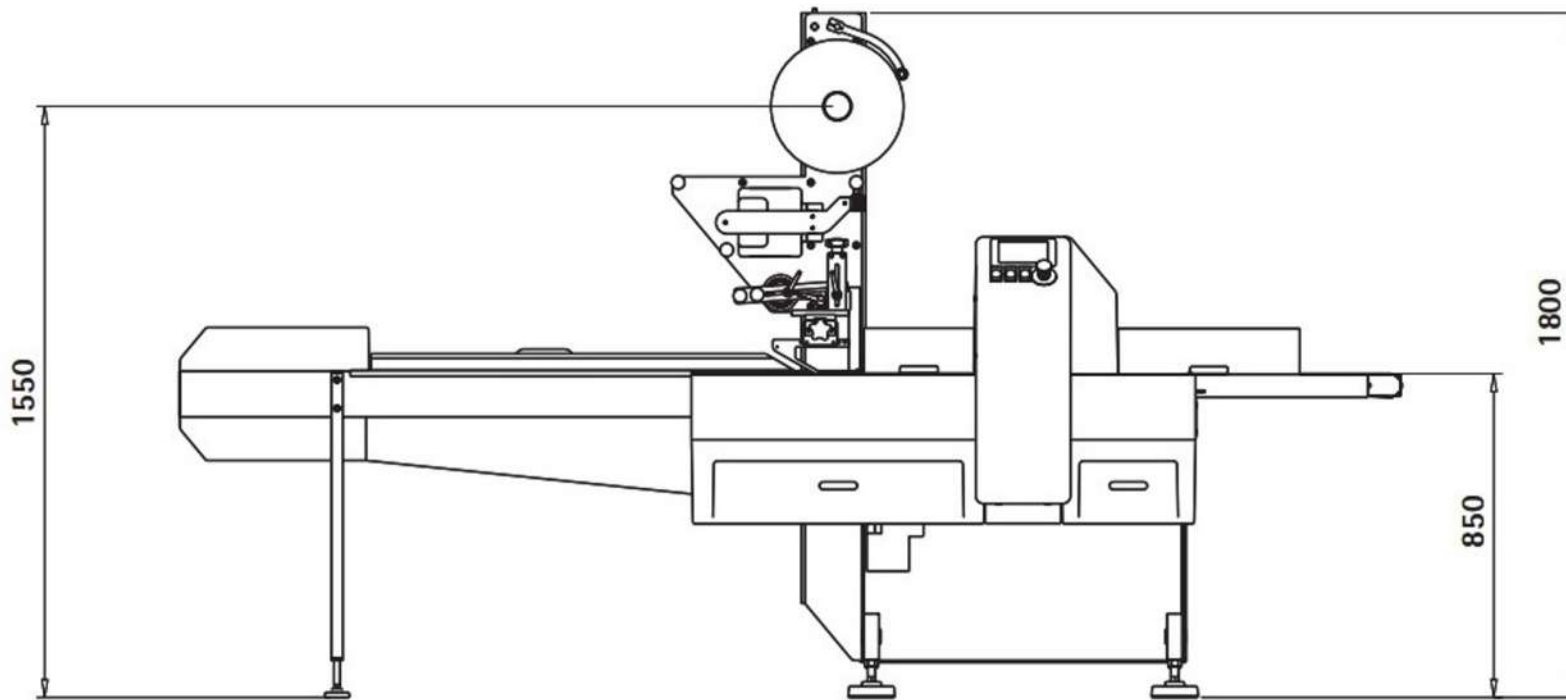
CARACTERÍSTICAS NEUMÁTICAS

Alimentación con aire comprimid
Presión: 7 Bar / Aire seco y filtrado



IMBALSTOCK

• Since 1994



Machine dimensions:
Length: 3200 mm
Width: 890 mm
Height: 1800 mm
Machine weight: 550 kg

Dimensioni macchina:
Lunghezza: 3200 mm
Larghezza: 890 mm
Altezza: 1800 mm
Peso: 550 kg

Dimensiones de la máquina:
Longitud: 3200 mm
Ancho: 890 mm
Altura: 1800 mm
Peso: 550 kilos

INTEGRATION WITH ROBOT



DELTA

Order and pick up the parts on a moving conveyor belt using a single vision system. We support you from the first ideas to the finished packaging product.

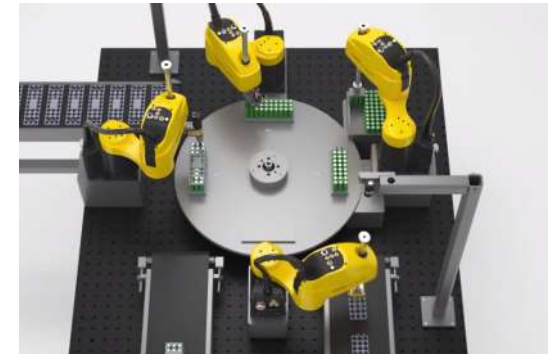
From project management and technological development to all-round engineering services.



SCARA

Space-saving line

To make the most of the space, the ROBOT SCARA robots are ultra compact and are designed to minimize interference with peripherals.



MULTI-ROBOT

Endless possibilities

The MULTI ROBOT are particularly suitable for operations of multiple packaging and product handling loads.

WE CUSTOMIZE THE PACKAGING LINES FOR DIFFERENT PRODUCTS



PLASTIC SHUTTER CONVEYORS

Plastic shutter conveyors are machines used for the transport of products that have to be accumulated.

They can have adjustable width, they can be in anodized aluminium or in stainless steel structure. These conveyors are equipped with adjustable side rails and speed regulators.



CURVED CONVEYOR BELTS

These conveyor belts are used where there is the need to change the direction of the product transported.

They can be a rubber belt conveyor or a shutter conveyor.



STAINLESS STEEL CONVEYOR BELTS

The stainless steel conveyor belts are used mostly in the food industry or in places where there is presence of humidity. The belt for this conveyors is a FDA conformity belt, they also can have stainless steel side rails with the possibility to regulate the width, adjustable supporting legs and stainless steel cover for the motoreducer.



IMBAL STOCK PACKAGING

SERVICE&PARTS

IMBAL SERVICE AND IMBAL PARTS





IMBAL SERVICE



Installation and start-up of machines and plants.
Training center for Imbal technicians, branches, dealers and directly
from customers.
Revisions, upgrades, repairs, maintenance.
Troubleshooting and remote diagnostics.
Software upgrade



AUTOMATIC FLOW WRAPPER



SPARE PARTS OF FLOW WRAPPER

®MADE IN ITALY

IMBAL STOCK Packaging

Original IMBAL spare parts and custom spare parts kit on the machine model.

Support for the identification of the spare part.

Offices of the DHL, UPS and GLS resident carriers within the Imbal spare parts warehouse and multiple daily withdrawals.

Optimized timing of evasion thanks to the worldwide distribution network with delocalized and automatic warehouses





30-YEARS OF EXPERIENCE

Imbal stock is the Group's business sector specialized in packaging machines. Since 1994 designs, manufactures and markets a complete range of technologies and solutions aimed at food, cosmetic and medical packaging sectors. A few years specialized in horizontal flow wrapper



NEW INDUSTRY 4.0

Imbal Stock's commitment is to transform our customers' factories in real-time factories ready to guarantee the opportunities of digital manufacturing. Smart machines and software become indispensable tools that facilitate the daily work of whom, in all over the world, packs products and more.



MAILING ADDRESS

Via S. Fiorano, 55/A | 20852
Villasanta - (MB)

EMAIL ADDRESS

info@imbalstock.it

PHONE NUMBER

+39 0392847931
+39 3274770910



[in](#) #imbalstock